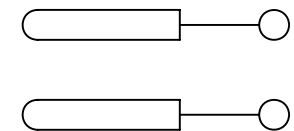
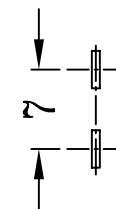
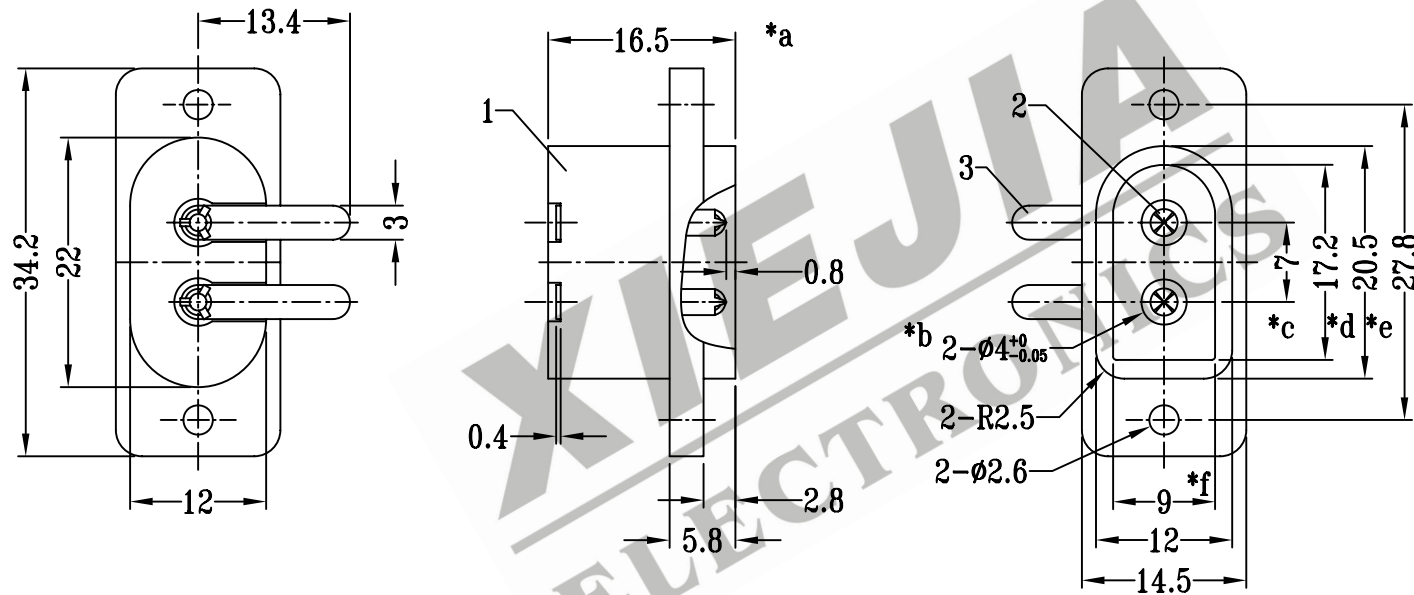


CAD FILE:



SCHMATIC



P.C.B LAYOUT

注:带*表示关键尺寸(6个)

8					TOLERANCE	SHENZHEN XIEJIA ELECTRONICS CO.,LTD.			
7					UNLESS SPECIFIED				
6					WITHIN: 1.5±0.1mm				
5					OVER : 1.5±0.2mm	ISSUE	DATE	DESCRIPTIONS	APPD.
4					TITLE : AC SOCKET	UNIT : MM	DRWG NO.: XJ-DR-AS338-00		
3	TERMINAL	BRASS STRIP	2	Ag PLATED OVER Ni PLATED	MODEL: AS-338	SCALE: 3:2	DWN.	ZHOUYU	2005-8-6
2	PLUG PIN	BRASS STRIP	2	Ag PLATED	ALL MATERIALS MUST BE COMPLIANT TO ROHS		CHK'D	FANGYING	2005-8-6
1	CASE	PC	1	BLACK			APPD.	KANGXINAN	2005-8-6
NO.	PART NAME	MATERIAL	Q'TY	FINISHING					